

Orion's patented lighting systems incorporate superior optical and thermal efficiency to deliver the most output with the least input. After all, every watt saved drops right to your bottom line year after year.

CM6HP Standard Features

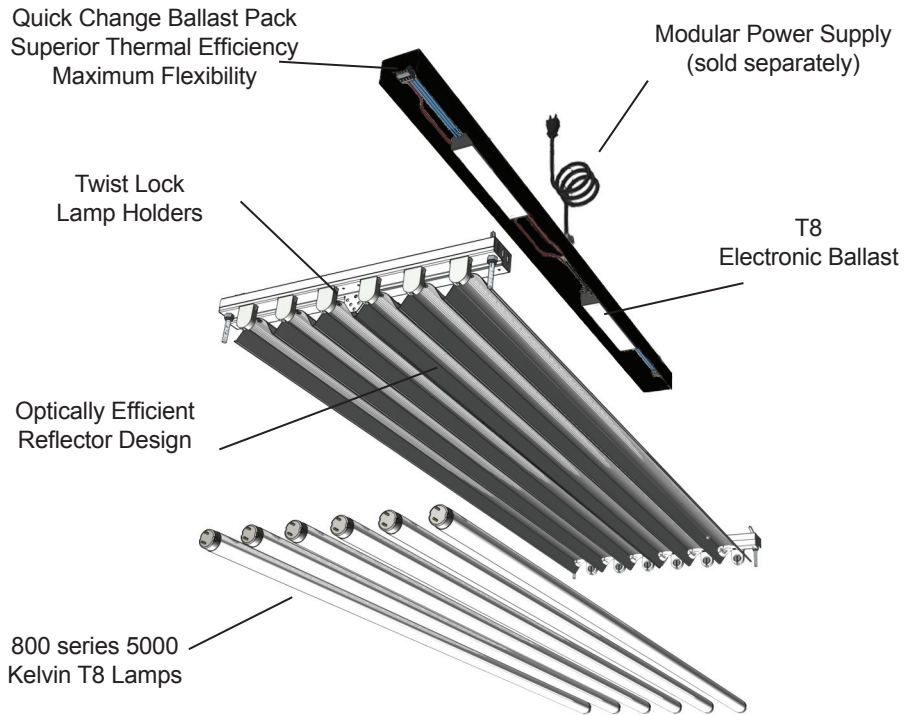
- UL listed portable luminaire
- Exclusive quick change ballast pack - change systems input wattage or replace ballasts in seconds, all without tools.
- Patented aluminum "I" Frame
- Durable lightweight construction
- Easy installation
- 5 year ballast warranty at 55° C

Custom Accessories

- Proprietary power supply options
- Plug and play control options
- Mounting hardware
- Occupancy sensors
- Ambient light sensors
- Wire guard

Warranty Information

Orion's fixtures and accessories are covered by individual component warranties as specified by OEM suppliers. Information available upon request.



TECHNICAL	DATA
T8, 4ft Compact Modular High Performance open highbay, 6 lamp, modular power connection, two universal 3-lamp instant start high output ballasts, no hanging cables attached, GE 42064 lamps, bulk packaged (Part No. CM6HP)	
Fixture Body	Aluminum
Lamp Holders	T8 Twist Lock
Connection Type	Quick Connect
Fixture Dimensions	48.15" (L) x 17.0" (W) x 3.0" (H)
Fixture weight (less lamps)*	7.9 lbs.
Wattage Consumed	221 @ 120-277v 232 @ 480v
Ballast Factor	1.15
Line Amps	1.84 @ 120 v 1.06 @ 208 v 0.92 @ 240 v 0.80 @ 277 v 0.48 @ 480 v
Total Harmonic Distortion	<13%

*480v Fixture's internal transformer adds 2 lbs.

Hardwire (Part No. CM6HPPHW)
 Hardwire Low Bay (Part No. CM6HPPHWLB)
 Hardwire 480 volt (Part No. CM6HPPHWTF)
 480 volt (Part No. CM6HPTF)
 Low Bay (Part No. CM6HPLB)
 No Lamps (Part No. CM6HPNL)



Ultra Cool™
System Certification

Light Years Ahead and Orion are trademarks/service marks of Orion Energy Systems, Inc.
 Copyright © 2008 Orion Energy Systems, Inc. All Rights Reserved.

CM6HP 25JULY08